

Table depth 700mm  
 \* Minimum table length  
 → Flow direction

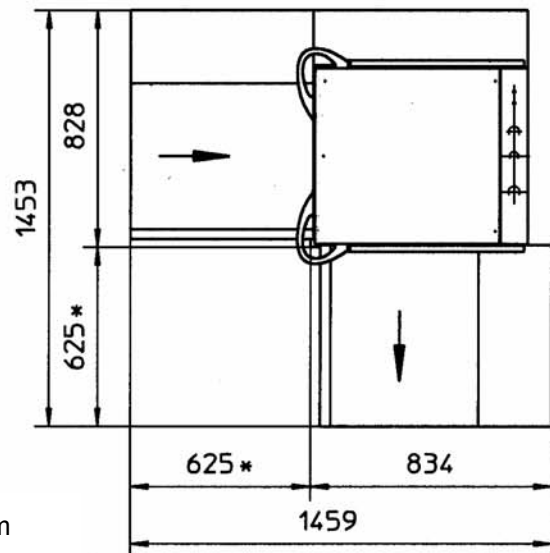
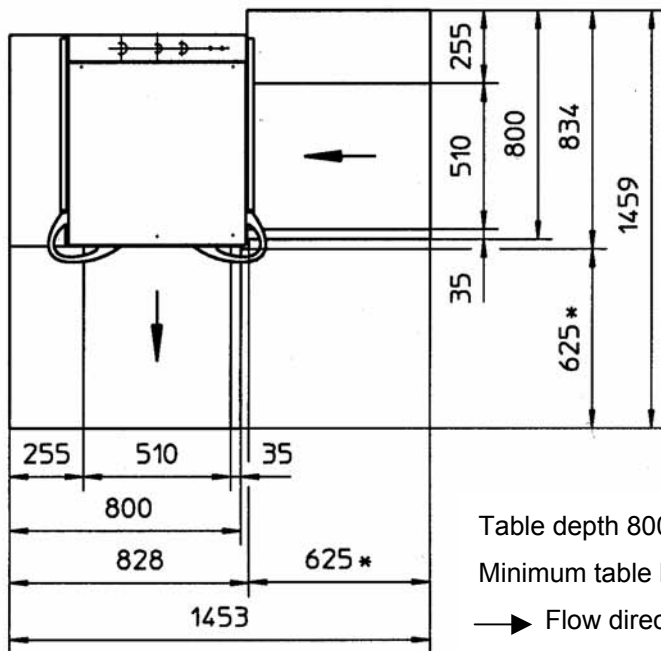


Table depth 800mm  
 Minimum table length  
 → Flow direction